

## ASSEMBLING INSTRUCTION

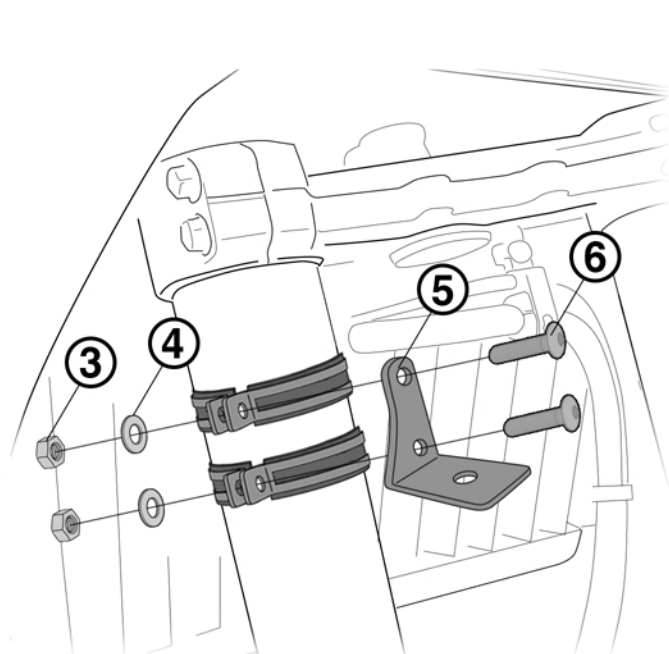
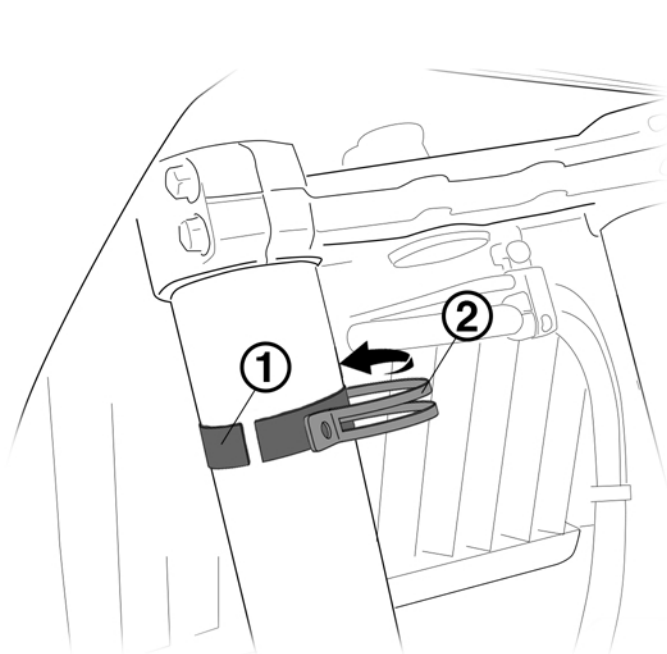
### EXTRALIGHT BRACKET

N9003-48-51

WWW.BARRACUDAMOTO.COM

## LEGEND

- |  |  |
|--|--|
| 1. RUBBER STRIP<br>STRISCIA GOMMA<br>TIRA DE GOMA<br>GUMMISTREIFEN<br>BANDE DE CAOUTCHOUC  | 4. WASHER Ø 6<br>RONDELLA Ø 6<br>ARANDELA Ø 6<br>SCHEIBE Ø 6<br>RONDELLE Ø 6                                   |
| 2. RING<br>ANELLO<br>ANILLO<br>RING<br>ANNEAU  | 5. EXTRALIGHT BRACKET<br>STAFFA FARETTO<br>SOPORTE EXTRALIGHT<br>SCHEINWERFER HALTERUNG<br>SUPPORT EXTRALIGHT  |
| 3. SELF-LOCKING NUT Ø 6<br>DADO AUTOBLOCCANTE Ø 6<br>TUERCA AUTOBLOCANTE Ø 6<br>SELBSTSICHERNDE MUTTER Ø 6<br>ÉCROU AUTOBLOQUANT Ø 6 | 6. ALLEN SCREW M6X25<br>VITE A BRUGOLA M6X25<br>TORNILLO ALLEN M6X25<br>INBUSSCHRAUBE M6X25<br>VIS ALLEN M6X25 |



 KIT EXTRALIGHT NOT INCLUDED

KIT EXTRALIGHT  
TBL M6X10

KIT EXTRALIGHT  
ORIGINAL PART

POSITION

35 MM

35 MM

CHECK THAT THE EXTRALIGHT DO NOT IMPACT ON THE FAIRING AFTER INSTALLATION

## ASSEMBLING INSTRUCTION

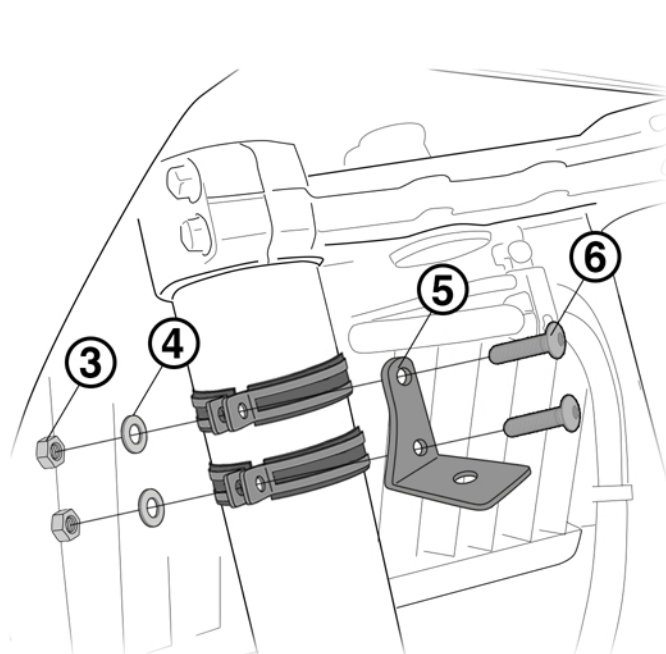
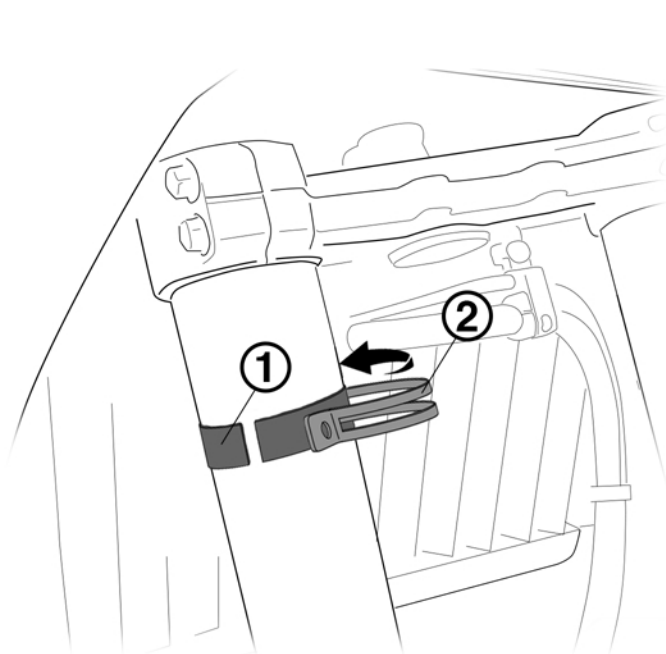
### EXTRALIGHT BRACKET

N9003-54-57

WWW.BARRACUDAMOTO.COM

### LEGEND

- |  |  |
|--|--|
| 1. RUBBER STRIP<br>STRISCIA GOMMA<br>TIRA DE GOMA<br>GUMMISTREIFEN<br>BANDE DE CAOUTCHOUC  | 4. WASHER Ø 6<br>RONDELLA Ø 6<br>ARANDELA Ø 6<br>SCHEIBE Ø 6<br>RONDELLE Ø 6                                   |
| 2. RING<br>ANELLO<br>ANILLO<br>RING<br>ANNEAU  | 5. EXTRALIGHT BRACKET<br>STAFFA FARETTO<br>SOPORTE EXTRALIGHT<br>SCHEINWERFER HALTERUNG<br>SUPPORT EXTRALIGHT  |
| 3. SELF-LOCKING NUT Ø 6<br>DADO AUTOBLOCCANTE Ø 6<br>TUERCA AUTOBLOCANTE Ø 6<br>SELBSTSICHERNDE MUTTER Ø 6<br>ÉCROU AUTOBLOQUANT Ø 6 | 6. ALLEN SCREW M6X25<br>VITE A BRUGOLA M6X25<br>TORNILLO ALLEN M6X25<br>INBUSSCHRAUBE M6X25<br>VIS ALLEN M6X25 |



 KIT EXTRALIGHT NOT INCLUDED

KIT EXTRALIGHT  
TBL M6X10

KIT EXTRALIGHT  
ORIGINAL PART

POSITION

35 MM

35 MM

CHECK THAT THE EXTRALIGHT DO NOT IMPACT ON THE FAIRING AFTER INSTALLATION